

BIKE RACK

Designer: SPARK - Tom Lauck



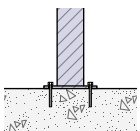
FRAME OPTIONS

- Hot dip galvanised mild steel
- 316 Stainless steel

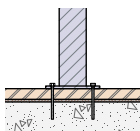
FRAME FINISHES

- Galvanised
- Powdercoated
- #4 Brushed

INSTALLATION



Bolt Down



Bolt Down

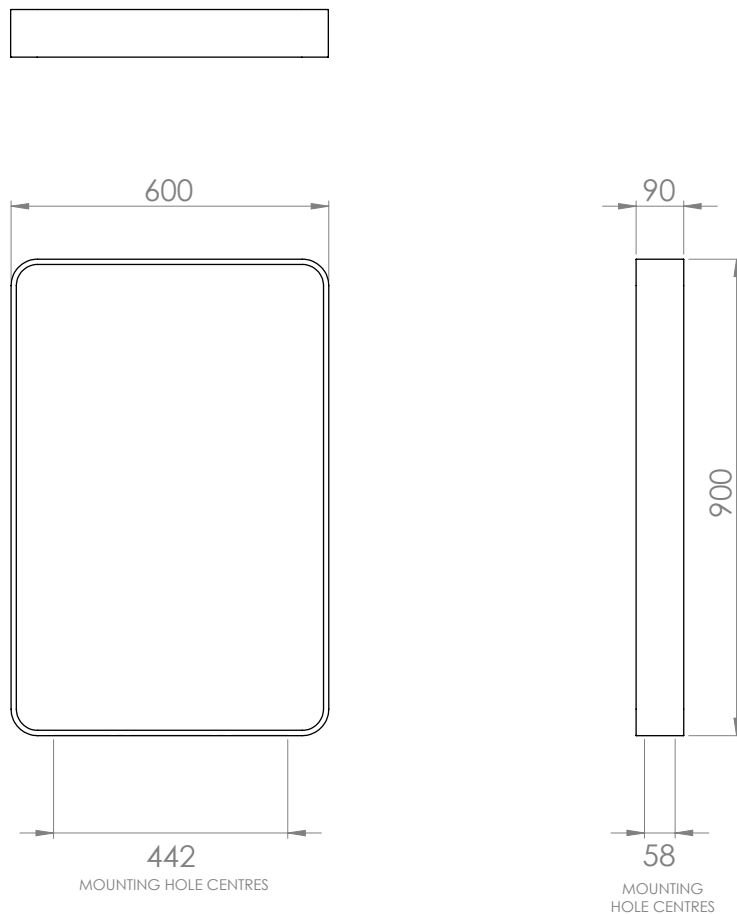
FIXINGS

- 12mm fixings for 14mm diameter holes

Alternative materials and finishes available on request

FOCUS BIKE RACK

SPECIFICATIONS



Measurements are in millimetres. Drawings are not to scale.

PRODUCT CODE

FOC008-HDG-GV

FOC008-HDG-PC

FOC008-S16-N4

FRAME FINISH

Hot dip galvanised

Powdercoated

#4 Brushed